

SuperAir Series COB PAR Lamp



Product Features

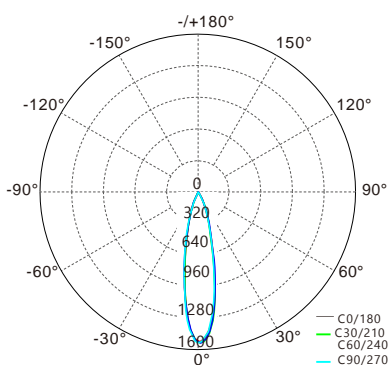
- COB LED for better light beam.
- UL and EnergyStar.
- Four available color temperatures and two available beam angles.
- Dimmable to 10% on most dimmers ,and non dimmable version available.
- Less weight than most other PAR light in market, more safe to be used in track fixture.
- Direct replacement for 50W 75W 100W 120W Halogen PAR lamps.
- Suitable for damp locations.

Applications

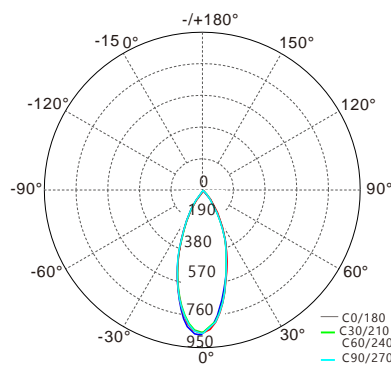
- Recessed lighting; Track lighting; Display lighting; Accent lighting; Art Gallery& Museum Lighting; Office Lighting; Hospitality Lighting.



Technical Characteristics



Average beam angle
(50%):25°

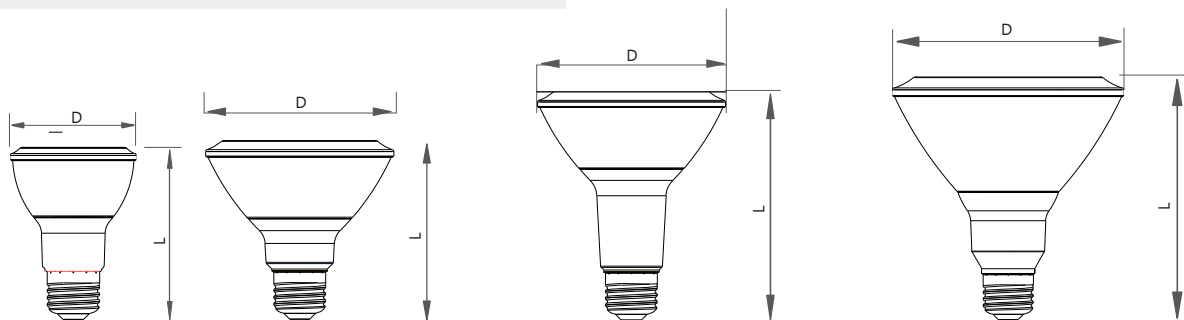


Average beam angle
(50%):40°

Dimensions And Weight

The dimensions of the products fully comply with ANSI C78.21 standards.

ModelNo.	L Length	D Diameter	Weight(g)	Housing
P20A0X-D	3.38"(86mm)	2.48"(63mm)	70	Plastics
P30A0X-D	3.54"(90mm)	3.74"(95mm)	110	Aluminium
P30B0X-D	4.56"(116mm)	3.74"(95mm)	115	Aluminium
P38A0X-D	5.15"(130mm)	4.76"(121mm)	200	Aluminium



Parameters

Model No.	Base Type	Rated Voltage (V)	Rated Power (W)	Power Factor	Beam Angle (°)	CCT	CRi	Lumens (lm)	CBCP	*LED Type	Operating Temp(°C)	Lifetime (h)	Dimmable	Certification
P20A01-D	E26	AC120	8	0.9	25	2700K/3000K/5000K	83	500	1508	COB	-20~+45	25,000	Yes	UL,ES
P20A02-D	E26	AC120	8	0.9	40	2700K/3000K/5000K	83	500	925	COB	-20~+45	25,000	Yes	UL,ES
P30A01-D	E26	AC120	13	0.9	25	2700K/3000K/5000K	83	800	2510	COB	-20~+45	25,000	Yes	UL,ES
P30A02-D	E26	AC120	13	0.9	40	2700K/3000K/5000K	83	800	1690	COB	-20~+45	25,000	Yes	UL,ES
P30B01-D	E26	AC120	13	0.9	25	2700K/3000K/5000K	83	800	2510	COB	-20~+45	25,000	Yes	UL,ES
P30B02-D	E26	AC120	13	0.9	40	2700K/3000K/5000K	83	800	1690	COB	-20~+45	25,000	Yes	UL,ES
P38A01-D	E26	AC120	18	0.9	25	2700K/3000K/5000K	83	1100	3400	COB	-20~+45	25,000	Yes	UL,ES
P38A02-D	E26	AC120	18	0.9	40	2700K/3000K/5000K	83	1100	2125	COB	-20~+45	25,000	Yes	UL,ES

* CBCP: Center Beam Candle Power

