

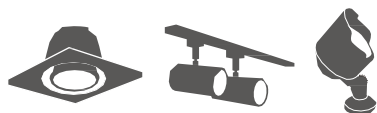
## PAR16 7.5W

### Product Features

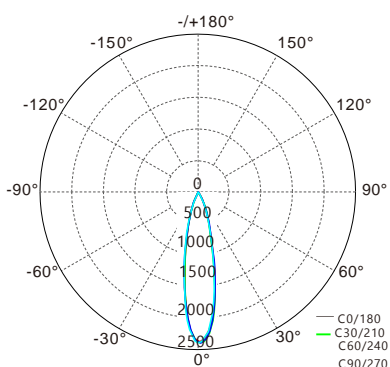
- Excellent CBCP and beam quality.
- UL and Energy Star Qualified.
- Four available color temperatures and two available beam angles.
- Dimmable to 10% on most dimmers ,and non dimmable version available.
- Direct replacement for base GU10/E26 75W halogen .

### Applications

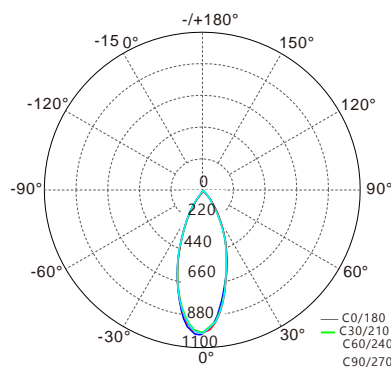
- Track Lights ;Recessed Downlights;Display Lights.



### Technical Characteristics



Average beam angle (50%):25°

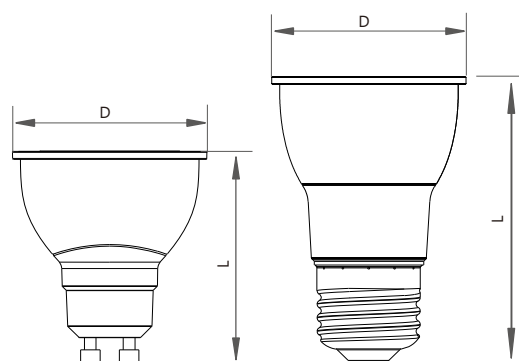


Average beam angle (50%):40°

### Dimensions And Weight

The dimensions of the products fully comply with ANSI standards.

ModelNo.	L Length	D Diameter	Weight(g)	Housing
GU10A0X	2.1"(54mm)	2"(50mm)	50	Aluminum coated PBT
GU10B0X	2.1"(54mm)	2"(50mm)	50	Aluminum coated PBT
P16A0X	2.9"(74mm)	2"(50mm)	60	Aluminum coated PBT
P16B0X	2.9"(74mm)	2"(50mm)	60	Aluminum coated PBT



### Parameters

Model No.	Base Type	Rated Voltage (V)	Rated Power (W)	Power Factor	Beam Angle (°)	CCT	CRI	Lumens (lm)	CBCP	*LED Type	Operating Temp(°C)	Lifetime (h)	Dimmable	Certification
GU10A01-D	GU10	AC120	7.5	0.9	40	2700K/3000K/5000K	83	500	1038	SMD	-20~+45	25,000	Yes	UL,ES
GU10B01-D	GU10	AC120	7.5	0.9	40	2700K/3000K	83	500	1038	COB	-20~+45	25,000	Yes	UL
P16A01-D	E26	AC120	7.5	0.9	40	2700K/3000K	83	500	1038	SMD	-20~+45	25,000	Yes	UL,ES
P16B01-D	E26	AC120	7.5	0.9	40	2700K/3000K	83	500	1038	COB	-20~+45	25,000	Yes	UL

\* CBCP: Center Beam Candle Power

