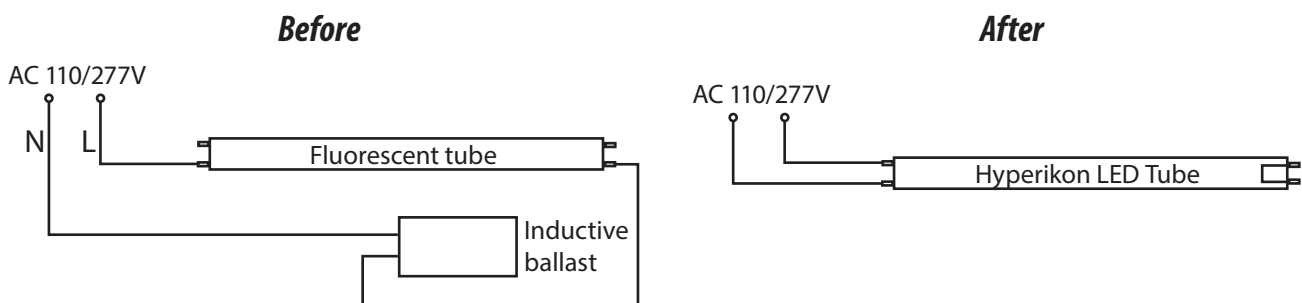


# HYPERIKON® Single-Ended LED Tube Installation Guide



## Instructions

1. Switch off power
2. Remove fluorescent tube
3. Remove ballast/wiring cover
4. Cut off all wires connected to ballast
5. Connect "L" (live wire) and "N" (neutral) to each lampholder/tombstone in one end of fixture
6. Replace wire cover
7. Install LED tube, silver label marked "L" and "N" to power side of fixture
8. Switch on power



## Warnings

WARNINGS, CAUTIONS AND OPERATING INSTRUCTIONS WARNING: "THIS PRODUCT MUST BE INSTALLED IN ACCORDANCE WITH THE APPLICABLE INSTALLATION CODE BY A PERSON FAMILIAR WITH THE CONSTRUCTION AND OPERATION OF THE PRODUCT AND THE HAZARDS INVOLVED."

1. Risk of fire or electric shock. Not for direct replacement of fluorescent lamps.
2. Risk of fire or electric shock. Luminaires wiring, ballasts, or other electrical parts may be damaged when installing of reflector kit hardware. Check for enclosed wiring and components.
3. Risk of fire or electric shock. Reflector kit installation requires knowledge of fluorescent lighting luminaires electrical systems. If not qualified, do not attempt installation. Contact a qualified electrician.
4. To prevent wiring damage or abrasion, do not expose wiring to edges of sheet metal or other sharp objects.
5. Only those open holes indicated in the photographs and/or drawings may be made or altered as a result of kit installation. Do not leave any other open holes in an enclosure of wiring or electrical components.

DANGER-RISK OF SHOCK-DISCONNECT POWER BEFORE INSTALLATION.

WARNING - Risk of fire or electric shock. Install this kit only in the luminaires that have the construction features and dimensions shown in the photographs and/or drawings.

SUITABLE FOR DRY OR DAMP LOCATIONS.

DO NOT USE WITH DIMMERS.

THIS DEVICE IS NOT INTENDED FOR USE WITH EMERGENCY EXITS.

Lamps must be operated within an ambient fixture temperature of -22F (-30c) and 113F (45c) to ensure UL compliance.